

# HOLMAN

## HOLTECH CIVIL CATALOGUE

PE100 & SDR21 SEWER NON PRESSURE

**PE RANGE**

[www.holmanindustries.com.au](http://www.holmanindustries.com.au)



## PRODUCT INDEX

PE 45° JUNCTION	4
PE PUDDLE FLANGE	4
ADAPTOR 110 PE X 100 PVC	5
PE 160 X 110 X 88 SWEEP JUNCTION	5
PE EXT/INT BACK DROP BEND 160MM	6
PE EXT/INT 90° DROP BEND 160MM	6
PE 100 EQUAL SWEEP JUNCTION	6
PE 100 SWEEP JUNCTION TYPE C	7
PE 160 EXTERNAL 90° BACKDROP JUNCTION	8
PE EXTERNAL END CAPS	8
PE REDUCER	9
INSPECTION OPENING PE X PVC	9



### PERTH WAREHOUSE & HEAD OFFICE

11 Walters Drive  
OSBORNE PARK WA 6017



08 9416 9999



08 9416 9920



Sales: sales@holmanindustries.com.au



### SYDNEY WAREHOUSE

2/98 Kurrajong Avenue  
MOUNT DRUITT NSW 2770



02 9832 3298



08 9832 7043



Sales: sydney@holmanindustries.com.au



### MELBOURNE OFFICE & WAREHOUSE

145 Northcorp Boulevard  
BROADMEADOWS VIC 3047



03 8335 4444



03 8335 4414



Sales: melbourne@holmanindustries.com.au



### PLUMBING MANUFACTURING

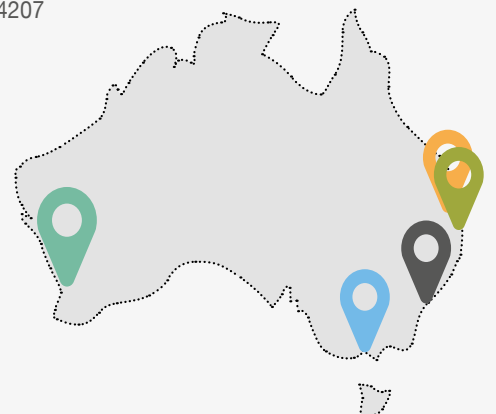
298A Staphylton Jacobs Well Road  
STAPYLTON QLD 4207



07 3807 1922



07 3807 4933



### BRISBANE WAREHOUSE

Unit 1 -2/68 Lisgar Street  
VIRGINIA QLD 4014



07 3216 5200



07 3865 7877



Sales: brisbane@holmanindustries.com.au

[www.holmanindustries.com.au](http://www.holmanindustries.com.au)

Holman Industries is an Australian owned Company. Bookleaf Pty Ltd as Trustee for the Eden Unit Trust A.C.N. 009 036 202 A.B.N. 29 385 212 665





## THE COMPANY

Holman Industries was founded on January 4, 1966. It is still a family business and proudly Australian owned. The company is a leading supplier of plumbing fittings and watering products to the Australian market.

Holman employs over 200 staff in Australia. Head office is in Perth, Western Australia. Large distribution warehouses are located in Melbourne and Brisbane and a plumbing only warehouse is situated in Sydney. The company currently exports watering products to many countries including the USA & Europe.

Holman is dedicated to continually investing in new tooling and more product development and innovation. Holman believes in putting its customers first and offering superior service with a high level of stock support. The aim is to be your best supplier.

## QUALITY

All Holman products are certified by ApprovalMark International (AMI), an Australian based Certification Body accredited by JAS-ANZ, who provides certification to all FABFIT, T/A Holman Industries, plumbing products in accordance with WaterMark. This provides quality assurance and confidence that FABFIT T/A Holman Industries only supplies products which comply to the Australian Standards and are manufactured to the highest quality level. FABFIT, T/A Holman Industries, are a quality endorsed Company to ISO 9001 and also conducts independent batch release testing to maintain the highest level of compliance.

## CUSTOM FABRICATIONS

The FABFIT, T/A Holman Industries, manufacturing facility has the capacity to manufacture special fittings and assemblies in all areas of HDPE (PE100), PP and PVC.

## PARTEC CERTIFIED TRAINED FABRICATORS

Holman has stringent quality control programmes implemented at their manufacturing sites to ensure the quality of products supplied to our customers in the Civil Industry. Independent third party certification is undertaken by Approval Mark International JAS-ANZ Accredited.

## HOL-TECH POLYETHYLENE FITTINGS (PE100)

Polyethylene (PE100) as a choice of material for pipeline applications where the product has advantages over other material used for similar applications, difference being are the jointing method, which prevent root intrusion, and has higher impact and abrasion resistance.

Brisbane City Council (Queensland Urban Utilities) made the decision to mandate the use of PE100 pipe and fittings for their gravity sewer network in mid 2000s.

NU Sewer system implemented with QUU incorporates the use of a co-extruded PE100 pipe with a white stripped external appearance including the internal bore being of colour white/light grey which provides improved visibility with in the NU Sewer system during CCTV inspections.

Hol-Tech fittings are fabricated for use in the high visibility NU Sewer network with approved materials. Fittings comply to AS 5065 and AS 4129 methods in fabricating align to best practice

Fittings are made from PE100 - SDR21 pipe complies to AS 4130.

**Holman Industries manufacturer these fittings in Australia.**

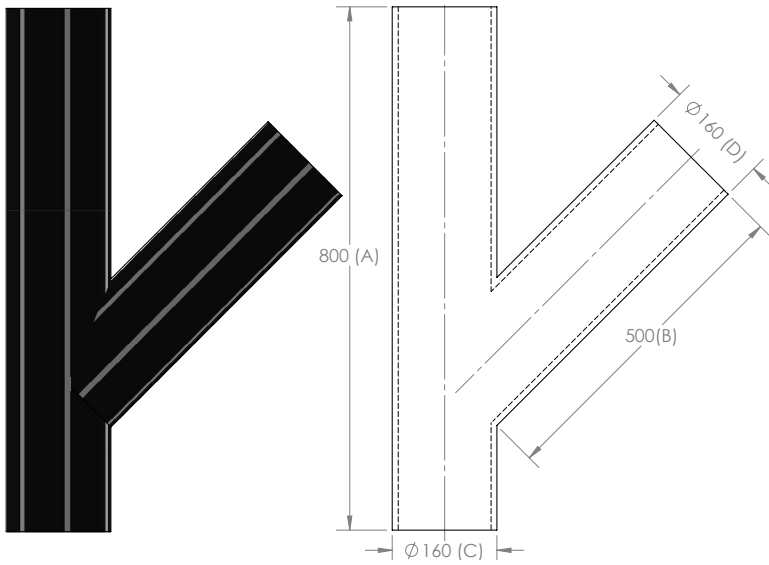


**ONS &**

FABFIT  
QMS 21388



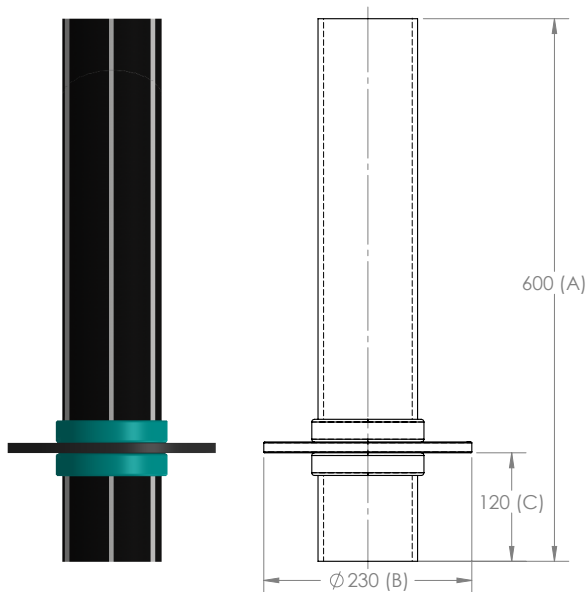
## PE 45° JUNCTION



HTJ160X160X45

NOM SIZE	PRODUCT CODE	DIMENSION (MM)			
		A	B	C	D
45°	HTJ160X160X45	800	500	160	160
45°	HTJ160X110X45	600	510	160	110
45°	HTJ110X110X45	600	500	110	110

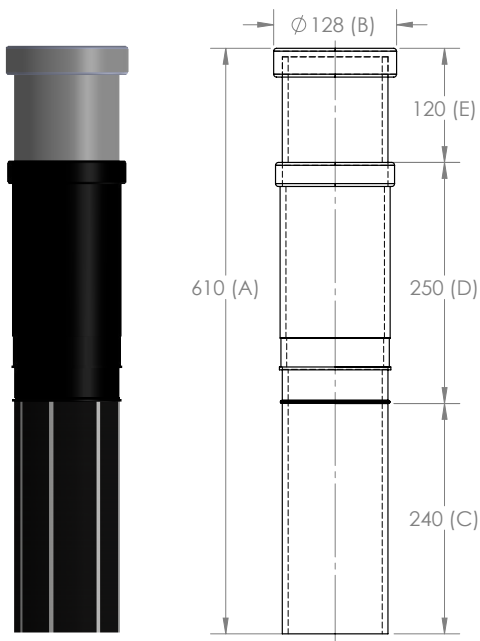
## PE PUDDLE FLANGE



HTPF110

NOM SIZE	PRODUCT CODE	DIMENSION (MM)		
		A	B	C
110mm	HTPF110	600	230	120
160mm	HTPF160	600	270	120

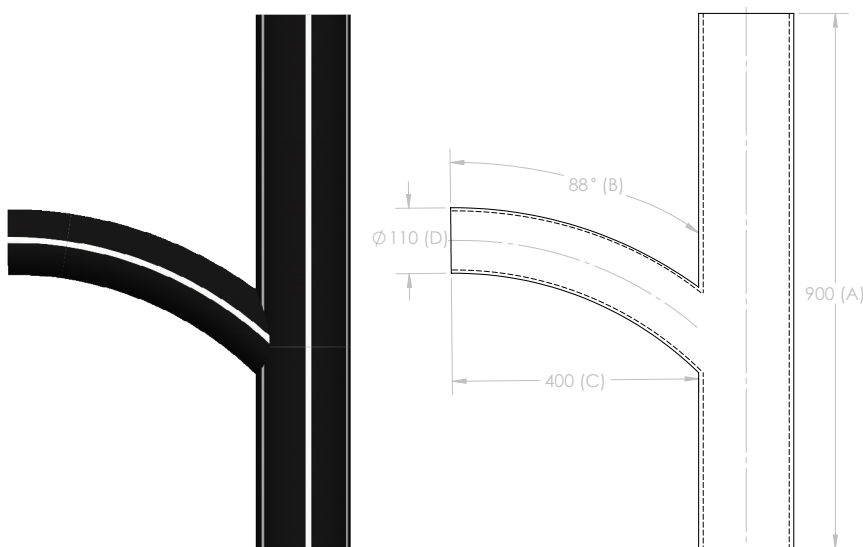
### ADAPTOR 110 PE X 100 PVC



NOM SIZE	PRODUCT CODE	DIMENSION (MM)				
		A	B	C	D	E
110	HTAD110X100	610	128	240	250	120
160	HTAD160X150	678	183	220	287	171



### PE 160 X 110 X 88 SWEEP JUNCTION

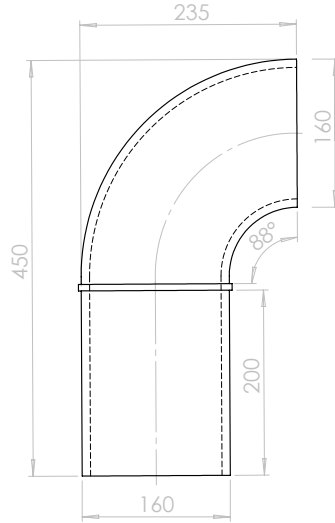
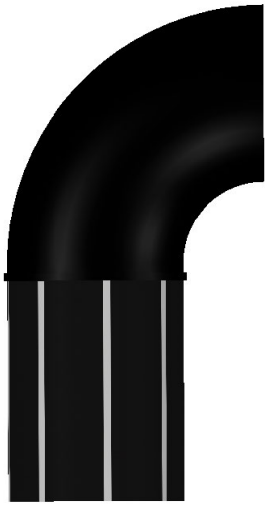


NOM SIZE	PRODUCT CODE	DIMENSION (MM)			
		A	B	C	D
160	HTJ160X110X88	900	88°	400	110

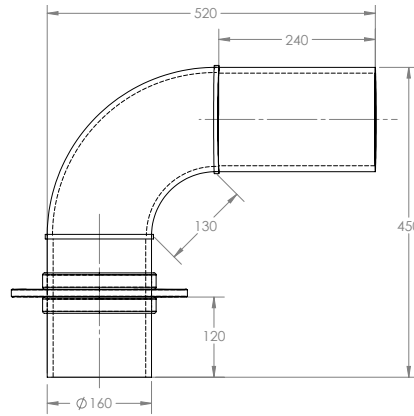
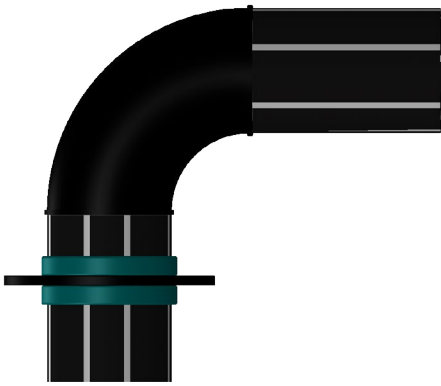


HTJ160X110X88

### PE EXT/INT BACK DROP BEND 160MM

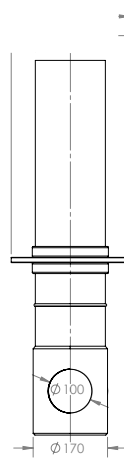
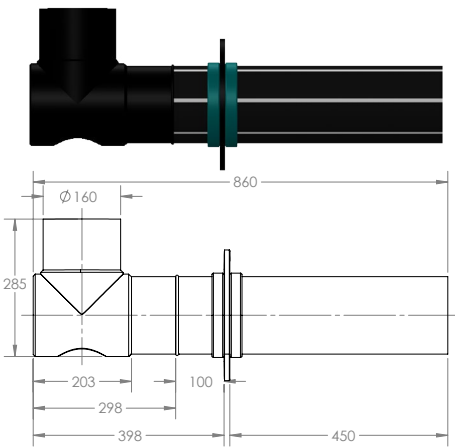


HTBDE160IN



HTBDE160EX

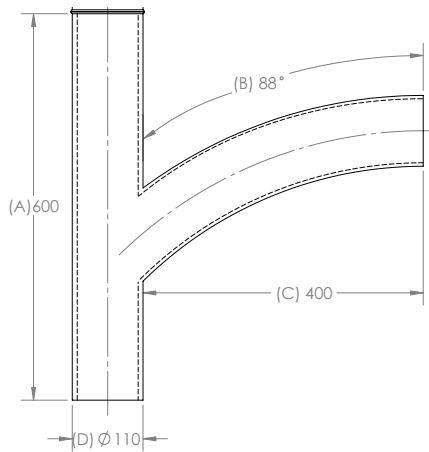
### PE 160 INTERNAL 90° BACKDROP JUNCTION



HTBDJ160X90IN



**PE EQUAL SWEEP JUNCTION**



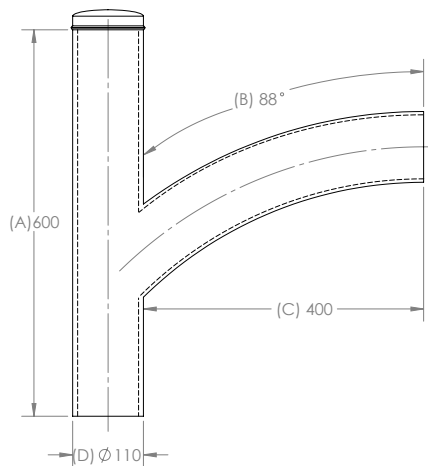
HTJ100X100X88



HTJ160X160X88

NOM SIZE	PRODUCT CODE	DIMENSION (MM)			
		A	B	C	D
110	HTJ110X110X88	600	88°	400	110
160	HTJ160X160X88	600	88°	400	160

**PE SWEEP JUNCTION TYPE C**



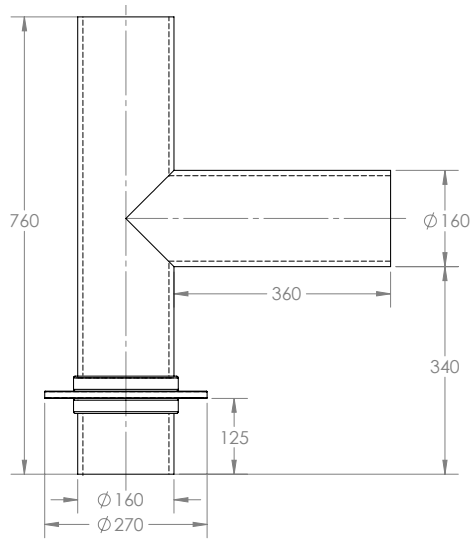
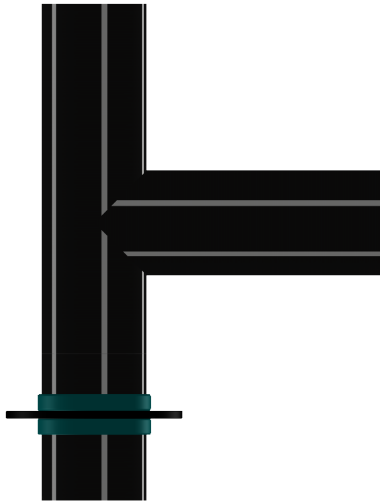
HTJC110



HTJC160

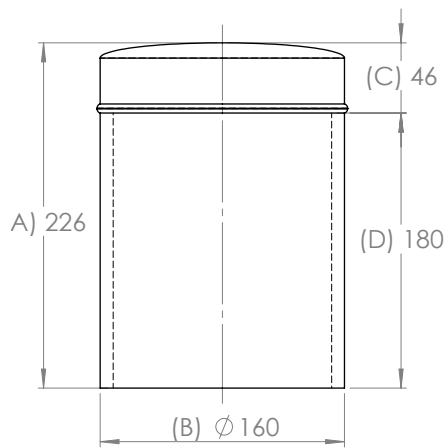
NOM SIZE	PRODUCT CODE	DIMENSION (MM)			
		A	B	C	D
110	HTJC110	600	88°	400	110
160	HTJC160	600	88°	400	160
160x110	HTJC160X110X88	600	88°	400	160X100

**PE 160 EXTERNAL 90° BACKDROP JUNCTION**



HTBDJ160X90EX

**PE EXTERNAL END CAPS**



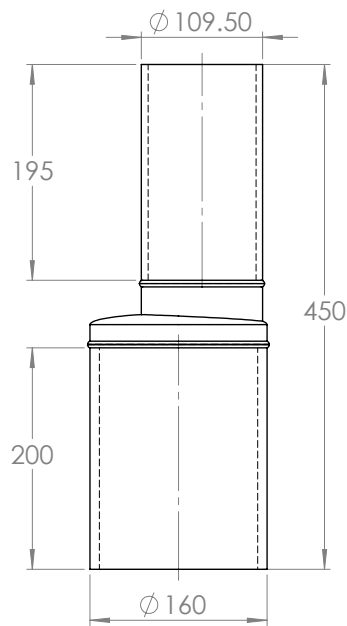
SIDE VIEW



NOM SIZE	PRODUCT CODE	DIMENSION (MM)			
		A	B	C	D
110	HTCAPEXT110	226	110	46	180
160	HTCAPEXT160	226	160	46	180



**PE REDUCER**

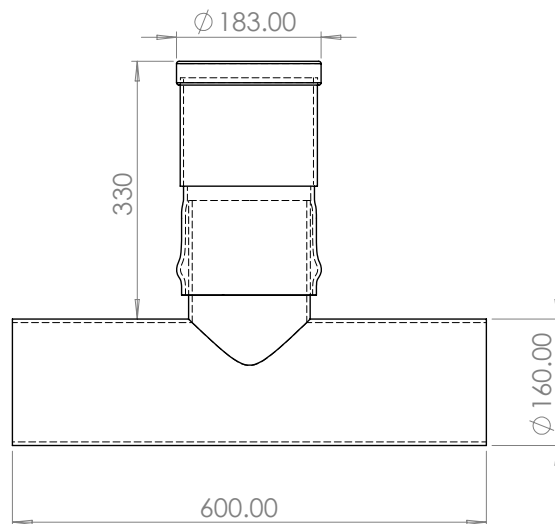


SIDE VIEW



HTRED160X110

**INSPECTION OPENING PE X PVC**



HTIOJ160X150



**PE RANGE**  
CIVIL CATALOGUE