

HOLMAN

HOLCIVIL CATALOGUE

DWV HEAVY DUTY FITTINGS 100 - 150MM
Designed and made for Australia's tough
conditions. Reducing the risk of breakage from
ground movement.



DWV HEAVY DUTY

www.holmanindustries.com.au

For the #SMARTPLUMBER



THE COMPANY

Holman Industries was founded on January 4, 1966. It is still a family business and proudly Australian owned. The company is a leading supplier of plumbing fittings and watering products to the Australian market.

Holman employs over 200 staff in Australia. Head office is in Perth, Western Australia. Large distribution warehouses are located in Melbourne and Brisbane and a plumbing only warehouse is situated in Sydney. The company currently exports watering products to many countries including the USA & Europe.

Holman is dedicated to continually investing in new tooling and more product development and innovation. Holman believes in putting its customers first and offering superior service with a high level of stock support. The aim is to be your best supplier.

QUALITY

All Holman products are certified by ApprovalMark International (AMI), an Australian based Certification Body accredited by JAS-ANZ, who provides certification to all FABFIT, T/A Holman Industries, plumbing products in accordance with WaterMark. This provides quality assurance and confidence that FABFIT T/A Holman Industries only supplies products which comply to the Australian Standards and are manufactured to the highest quality level. FABFIT, T/A Holman Industries, are a quality endorsed Company to ISO 9001 and also conducts independent batch release testing to maintain the highest level of compliance.

HEAVY DUTY DWV FITTINGS

Holman Industries Heavy Duty DWV fittings are produced in Australia, adding value to create a strong infrastructure within Civil and plumbing industry. With a 6mm wall thickness (compared to standard DWV fittings) Heavy Duty SWJ fittings are designed to help reduce and remove risks from ground movement. Featuring gussets and extra ribs under inspection openings for additional strength.

- Product Range covers from DN100 - DN150 with range of bends, junctions ,inspection openings, reducing junctions, lever invert taper
- Product ISO TYPE 5 certification
- Watermark Certified
- BEP Approved
- WSAA Appraised

Holman Industries manufacturer these fittings in Australia.



CONTACTS



PERTH WAREHOUSE & HEAD OFFICE

11 Walters Drive
OSBORNE PARK WA 6017



08 9416 9999



1800 058 080



Sales: sales@holmanindustries.com.au



SYDNEY WAREHOUSE

2/98 Kurrajong Avenue
MOUNT DRUITT NSW 2770



02 9933 6500



08 9933 6501



Sales: sydney@holmanindustries.com.au



MELBOURNE OFFICE & WAREHOUSE

145 Northcorp Boulevard
BROADMEADOWS VIC 3047



03 8335 4444



03 8335 4414



Sales: melbourne@holmanindustries.com.au



PLUMBING MANUFACTURING

298A Stapylton Jacobs Well Road
STAPYLTON QLD 4207



07 3807 1922



BRISBANE WAREHOUSE

Unit 1-2/68 Lisgar Street
VIRGINIA QLD 4014



07 3834 2100



1800 058 080

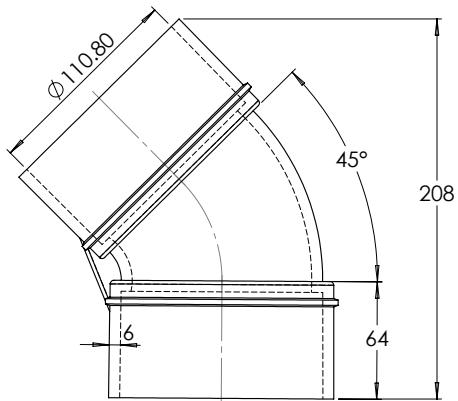


Sales: brisbane@holmanindustries.com.au

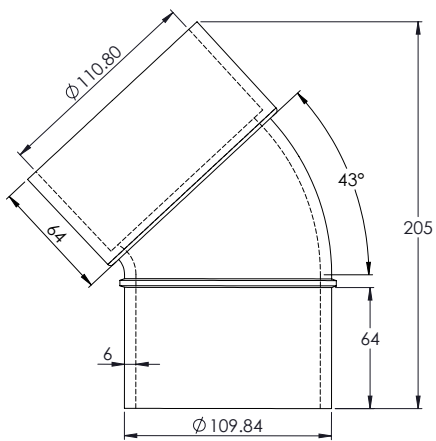


DWV 100MM BENDS

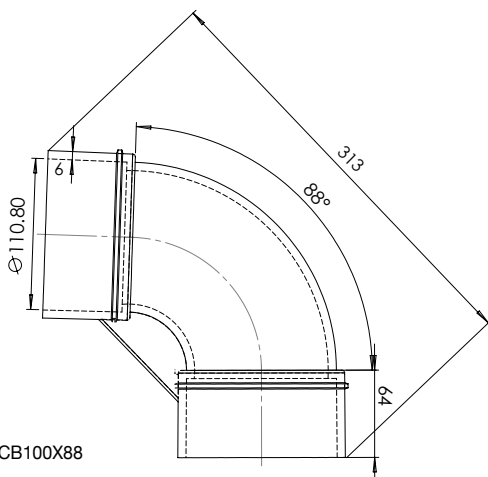
| NOM SIZE | PRODUCT CODE | DESCRIPTION | CARTON QTY |
|----------|--------------|----------------|------------|
| DN100 | HCB100X45 | 100mm x 45° | 15 |
| DN100 | HCB100X43MF | 100mm x 43° MF | 16 |
| DN100 | HCB100X88 | 100mm x 88° | 10 |



HCB100X45



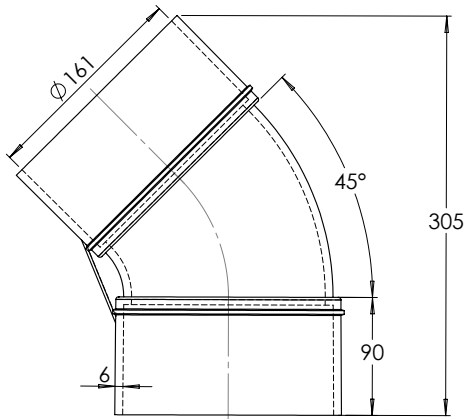
HCB100X43MF



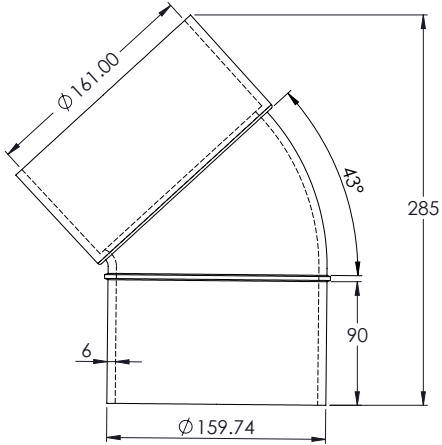
HCB100X88

DWV 150MM BENDS

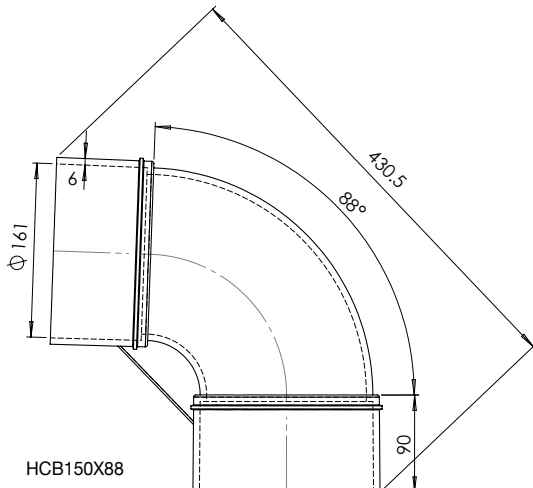
| NOM SIZE | PRODUCT CODE | DESCRIPTION | CARTON QTY |
|----------|--------------|----------------|------------|
| DN150 | HCB150X45 | 150mm x 45° | 6 |
| DN150 | HCB150X43MF | 150mm x 43° MF | 8 |
| DN150 | HCB150X88 | 150mm x 88° | 6 |



HCB150X45



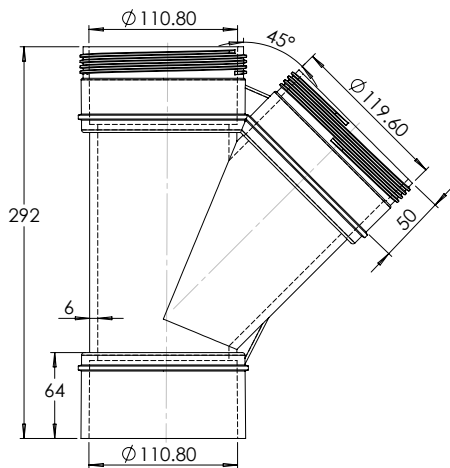
HCB150X43MF



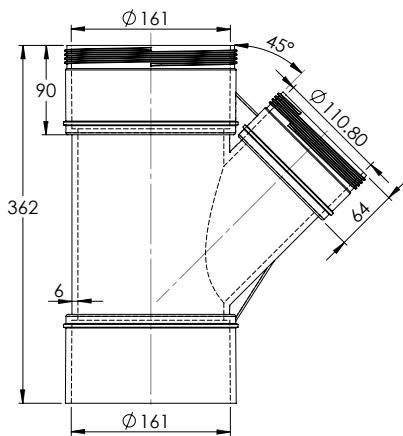
HCB150X88

DWV JUNCTIONS

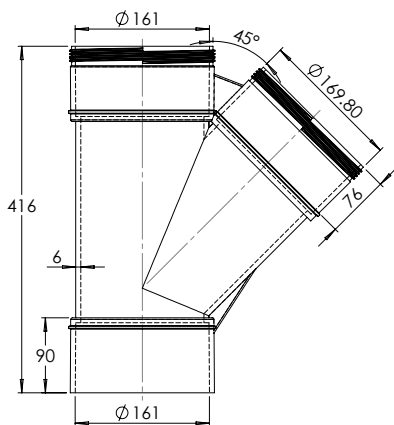
| NOM SIZE | PRODUCT CODE | DESCRIPTION | CARTON QTY |
|----------|---------------|---------------------|------------|
| DN100 | HCJ100X45 | 100mm x 45° | 10 |
| DN150 | HCJ150X100X45 | 150mm x 100mm x 45° | 4 |
| DN150 | HCJ150X150X45 | 150mm x 150mm x 45° | 3 |



HCJ100X45



HCJ150X100X45

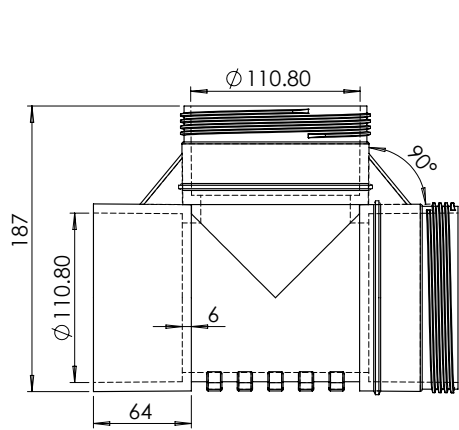


HCJ150X150X45

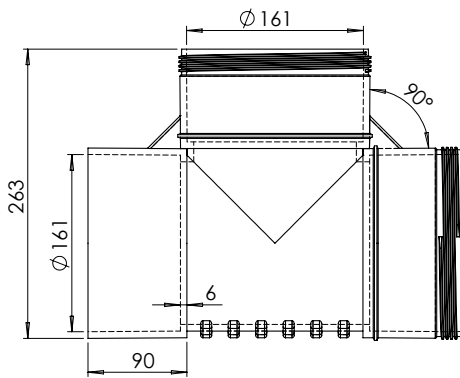


DWV INSPECTION OPENS & LIT

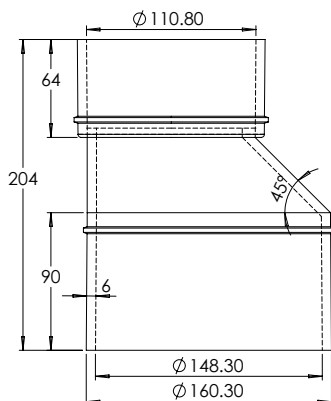
| NOM SIZE | PRODUCT CODE | DESCRIPTION | CARTON QTY |
|----------|--------------|---------------|------------|
| DN100 | HCIO100 | 100mm | 10 |
| DN150 | HCIO150 | 150mm | 7 |
| DN150 | HCLIT150X100 | 150mm x 100mm | 15 |



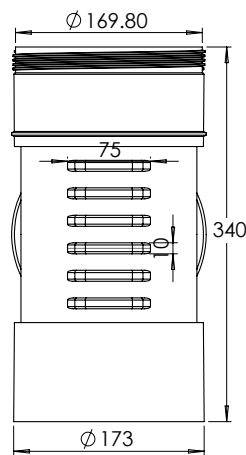
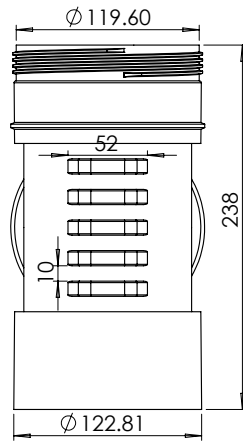
HCIO100



HCIO150



HCLIT150X100





HOLMAN

DWV HEAVY DUTY

www.holmanindustries.com.au



For the #SMARTPLUMBER

